

## FINGERPRINT/WI-FI ACCESS CONTROL READER

### Product Features



- **Operating way:** Fingerprint/Card/Password/Mobile Application.
- Touch keypad with backlight.
- High sensitivity semi-conductor finger print sensor.
- **Indication:** LED and electronic buzzer.
- Multi-functional standalone access control with wiegand26 output.
- Suitable for all kinds of access control system.
- Built-in high-current output drive for the electric lock.
- Support admin card for add and delete function.
- Data backup function to check visitor records.

### Tuya application function

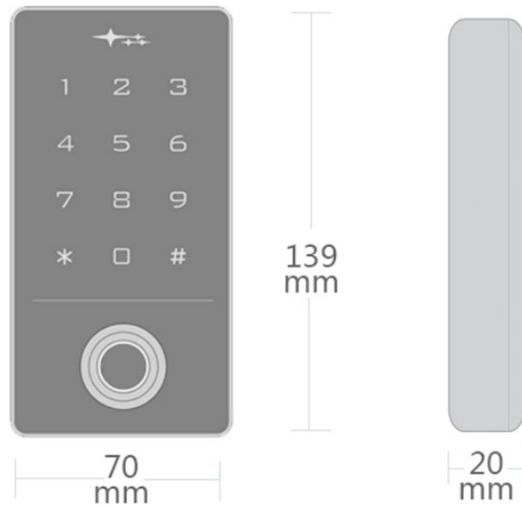
- Remote unlock by mobile application.
- Manage users from mobile application.
- Option to set temporary and public passwords.



### Technical Specification

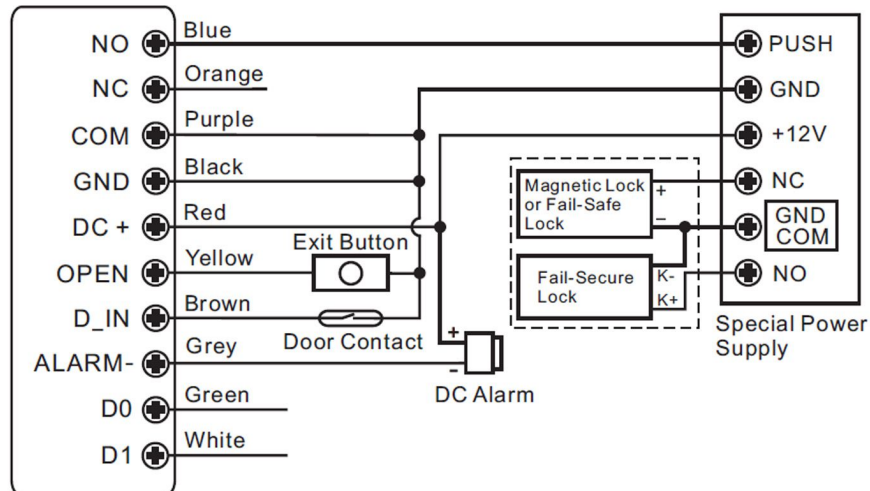
Model	F-F1W
Card Capacity	10,000
Fingerprint Capacity	200
Card Type	EM(ID) card 125KHz
Output Format	Wiegand 26 bits (default)
Open Mode	Fingerprint/ Card/ Password/ Mobile Application
Operating Voltage	DC 12V-24V
Operating Current	≤100mA
Electric Lock Output	≤3A
Card Reading Distance	20~40mm
IP Rating	IP68 Waterproof
Door Opening Time	0~99s (Adjustable)
Operating Temperature	-40°C~60°C
Operating Humidity	0%-95%
Dimensions	139×70×20(mm)

## Product Dimension



## Wiring Diagram

### Special Power Supply



### DC Power Supply

