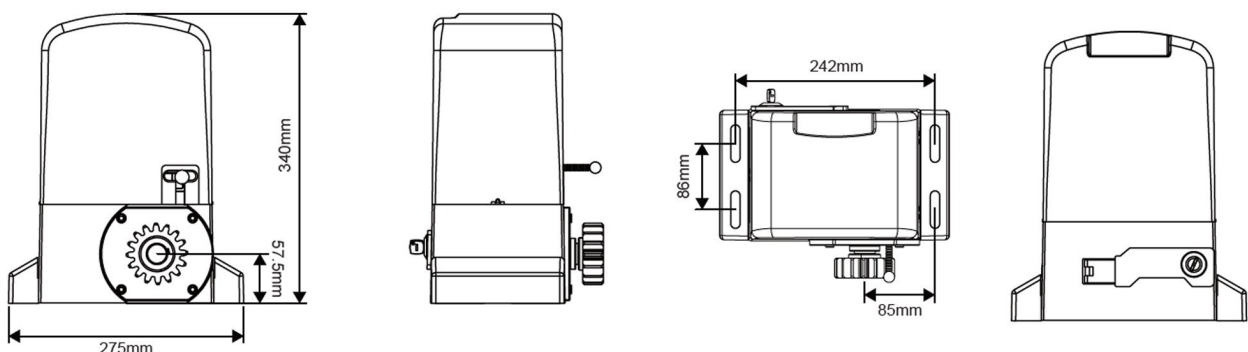


### PRODUCT FEATURES

- Powerful AC motor with bigger modulus internal gear, ideal for heavy duty gate.
- Metal external gear and enhanced glass fiber nylon internal gear for durable and silent operation.
- Smooth start and smooth stop to avoid accidents.
- Resistance sensitivity and auto-closing delay time adjustable.
- Stop/reverse in case of obstruction during gate opening /closing.
- Reliable mechanical spring limit switch.
- Emergency release key in case of power failure.
- Aluminum alloy base suits for all kinds of tough environment.

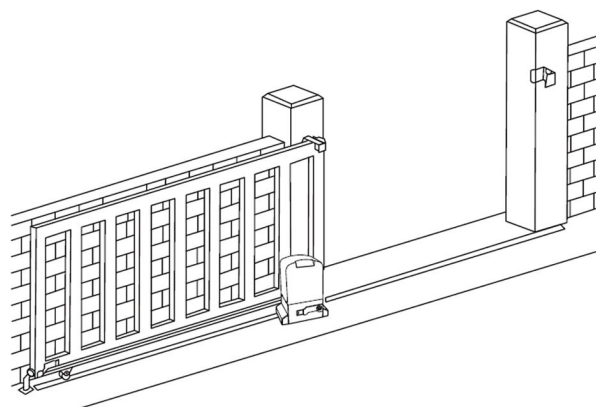
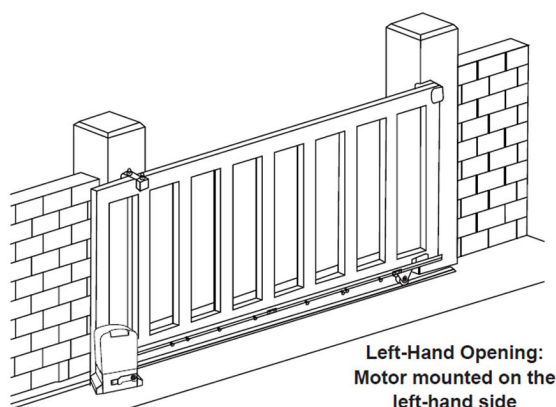
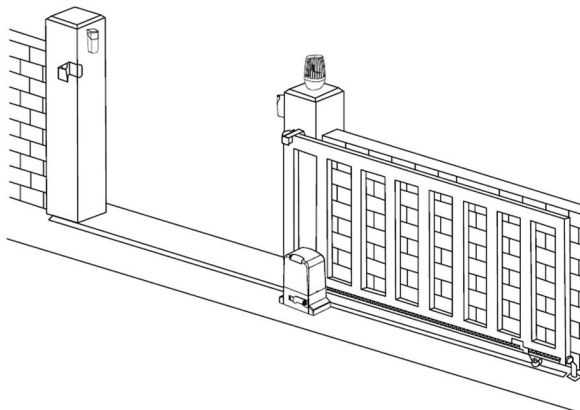
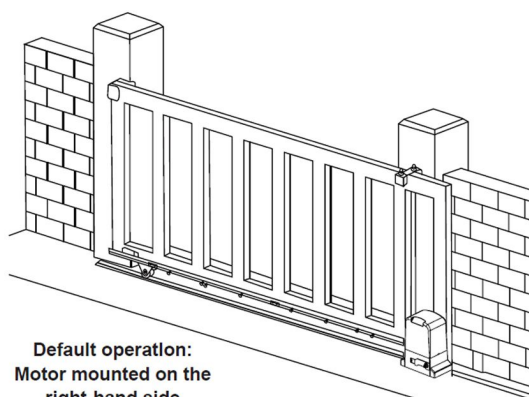
### PRODUCT DIMENSION



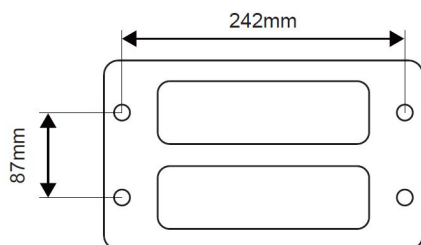
## TECHNICAL SPECIFICATION

MODEL	FM-H2206
Power input	220VAC±10% 50Hz
Maximum load	1000Kgs
Rated power	370W
Rated speed	1300RPM
Output speed	50r/min±10%
Running speed	12m/min
Output torque	37 N.M
Output gear module	M=4
Output gear number	Z=16
Remote control distance	30-50m in open area
Working humidity	≤85%
Maximum pull	1100N
Noise	≤55db
Working temperature of motor	-20°C ~ +55°C
Limit switch type	Spring limit

## INSTALLATION SCHEMATIC



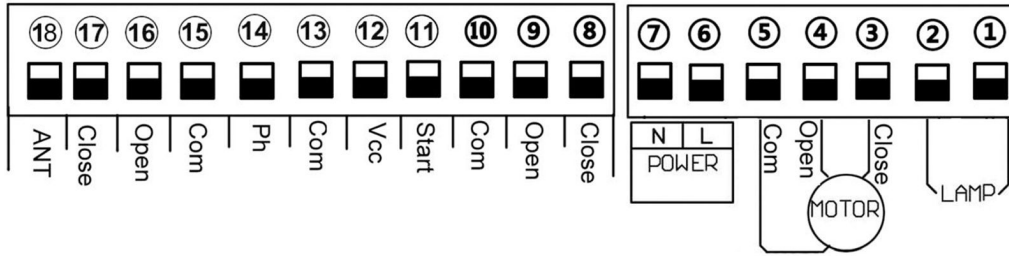
## Mounting Base Plate



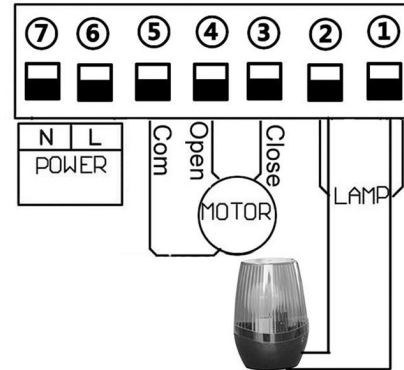
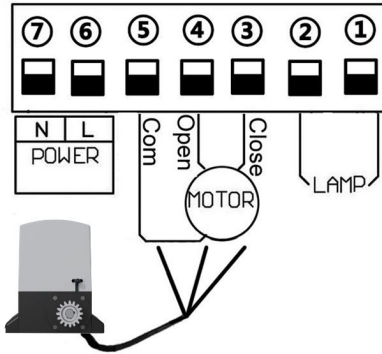
After determine the installation position of the motor base plate, first let the bolt embedded or use expansion bolt to make use plate fixed on foundation.

If gear rack has been installed on door, motor can be fixed on it, use a allen key rotation to clutch "off" position, after motor gear and gear rack match well to determine position of base plate, then remove motor and fix base plate.

# CONNECTION DIAGRAM



The default setting is right side open with jumper (J1) connected Pin 1 and Pin 2. For opposite direction, the limit switch direction should be changed by moving jumper (J1) connected to Pin 2 and Pin 3 instead.



**Flashing light**

Terminal ⑥, ⑦: Connection to 220V AC power.

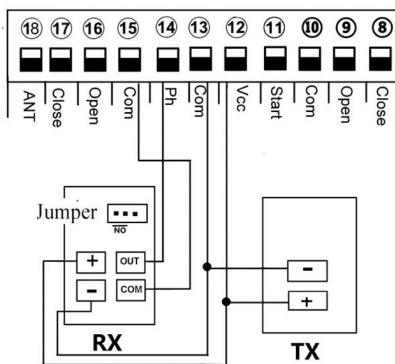
Terminal ③, ④, ⑤: Connection to motor wire.

Terminal ③, ④: Determines the forward and backward direction of the motor.

Terminal ⑤: Terminal for COM(GND).

Terminal ①, ②: for flashing light.

AC220V power output, flashing light turn ON when motor start running and turn OFF 30s after motor stop.



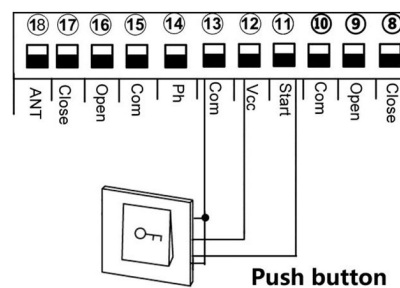
Terminal ⑧, ⑨, ⑩: For external limit switch.

Connect terminal ⑮ to the "COM" of photocell RX.

Connect terminal ⑭ to the "OUT" of photocell RX.

Connect terminal ⑫ to the "+" of photocell RX and TX.

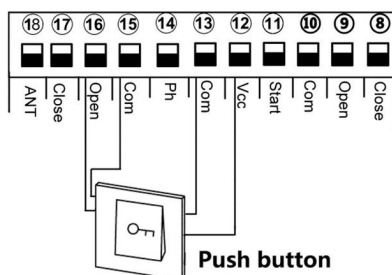
Connect terminal ⑬ to the "-" of photocell RX and TX.



**Push button**

Terminal ⑪, ⑬: Connect to push button.

Terminal ⑫, ⑬: Power for push button.

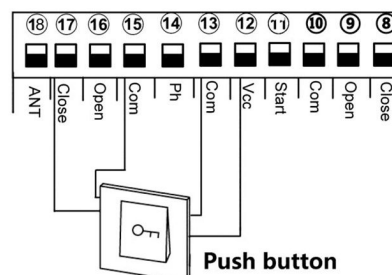


**Push button**

Terminal ⑯ is only to control gate open.

Terminal ⑮, ⑯: Connect to push button.

Terminal ⑫, ⑬: Power for push button.



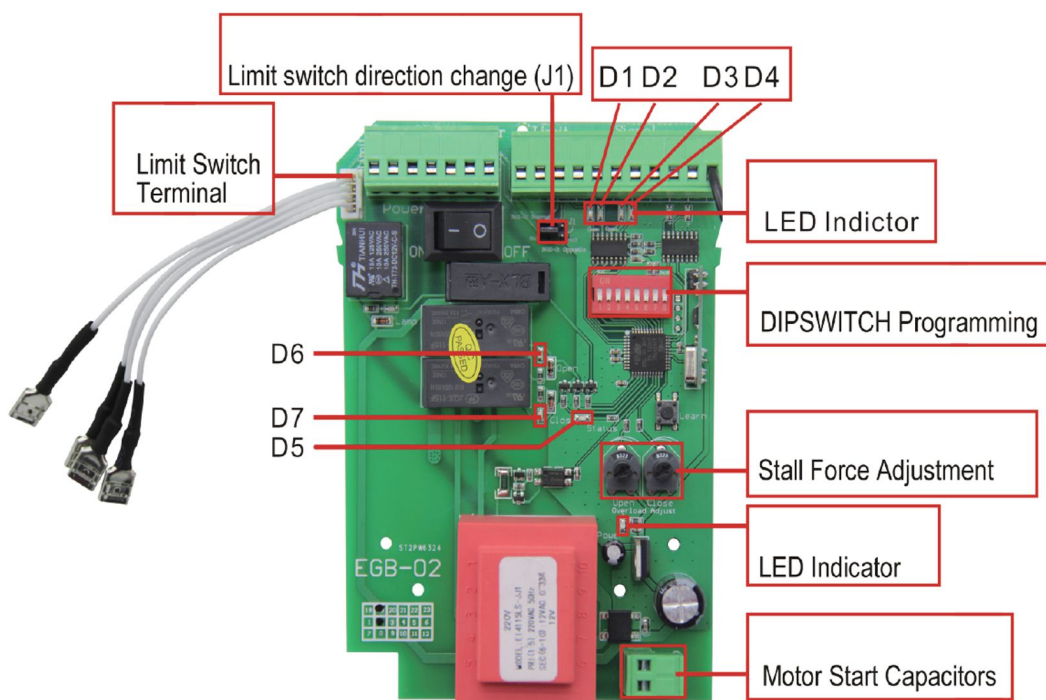
**Push button**

Terminal ⑰ is only to control gate close.

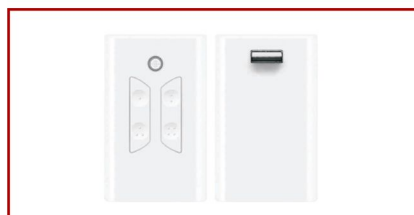
Terminal ⑮, ⑰: Connect to push button.

Terminal ⑫, ⑬: Power for push button.

## CONTROL BOARD



## OPTIONAL ACCESSORIES



### WI-FI MODULE (FM-05W)

- Working voltage: Micro USB 5V
- Frequency: 433.92Mhz
- Code: Rolling code, fixed code, learning code
- Wi-Fi: 2.4G IEEE 802.11 b/g/n
- Range: 80-100m
- Supports automatic gate system



### FLASH LIGHT (FD-08)

- Voltage: 12V-265V AC/DC
- Frequency: 1Hz
- IP Rating: IP44
- Supports swing motor, sliding motor, gate barrier, etc.



### FLASH LIGHT (FD-06)

- Voltage: 12V-265V AC/DC
- Frequency: 1Hz
- IP Rating: IP54
- Supports swing motor, sliding motor, gate barrier, etc.



### BEAM SENSOR (FO-G20)

- Voltage: DC12-18V
- Beams: Single beam
- Detect Distance: 20M
- Output: NO/NC/COM



### SLIDING HARDWARE KIT (FN-01)

- 1 PC End stop
- 1 PC Gate stopper
- 1 PC Guide bracket with nylon roller
- 2 PCS Wheel
- 6 PCS Sliding track



### STEEL GEAR RACK (FT-01)

- 1 Meter steel rail for sliding motor