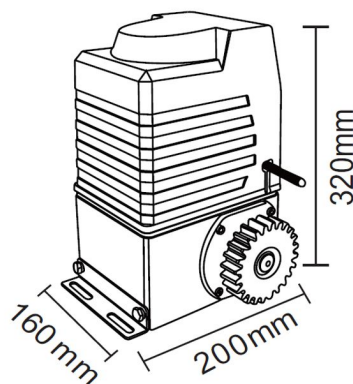


PRODUCT FEATURES

- High quality AC motor with oil-immersed design make it ideal for heavy duty application.
- Manual override in case of power supply failure.
- Smooth start and smooth stop to avoid accidents.
- Full metal gears making it durable and long lasting.
- Stop/reverse in case of obstruction during gate opening /closing.
- Resistance sensitivity and auto-closing delay time adjustable.
- Reliable mechanical spring limit switch.

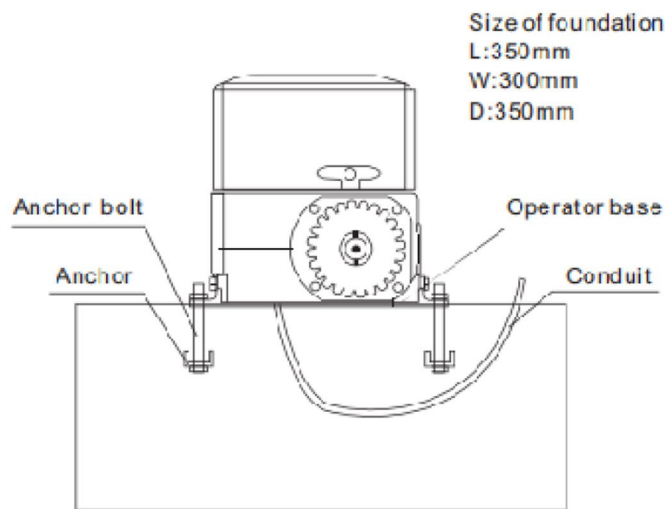
PRODUCT DIMENSION



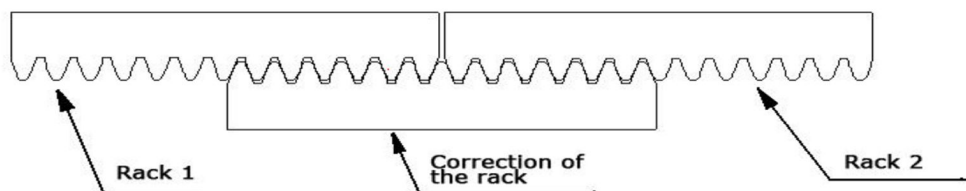
TECHNICAL SPECIFICATION

MODEL	FM-C2201
Motor voltage	220VAC/110VAC
Rated voltage	220V±10%/110V±10%
Maximum load	2000 Kgs
Rated motor power	550W
Open/close speed	12m/min
Output teeth	24T
Max pull force	1100N
Noise	≤55db
Output torque	22N.m
Remote control distance	30-50m in open area
Working humidity	≤85%
Working temperature of motor	-20°C ~ +55°C
Limit switch type	Spring limit

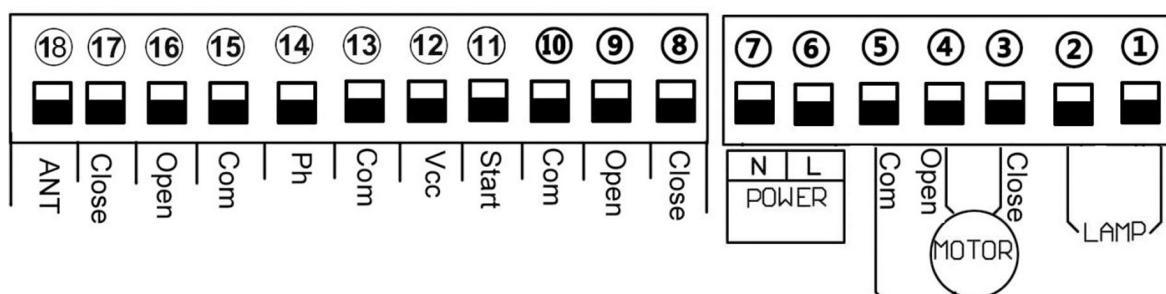
MOUNTING DIAGRAM



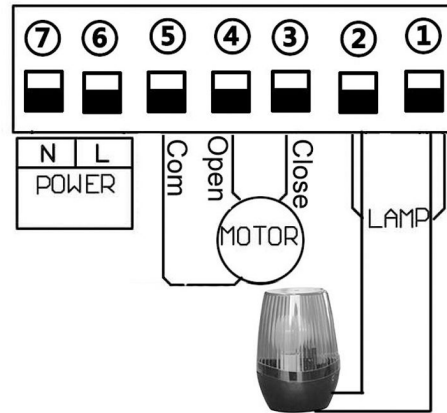
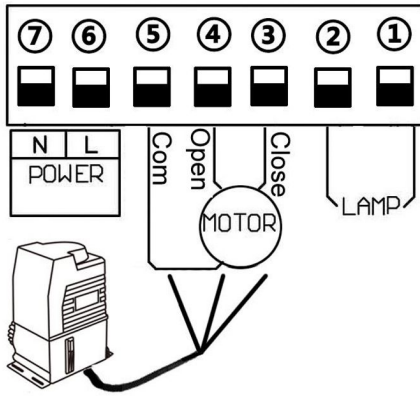
INSTALLATION OF RACK



CONNECTION DIAGRAM



The default setting is to install the motor on the right side of the gate. To install the motor on the left side, Exchange terminal ③ and ④ motor wire. After exchange, check if the motor can close and stop normally. If not, check "J1" and change to opposite direction ("J1" includes two pcs short circuit caps, adjust the caps simultaneously).



Flashing light

Terminal ⑥, ⑦: Connection to 220V AC power.

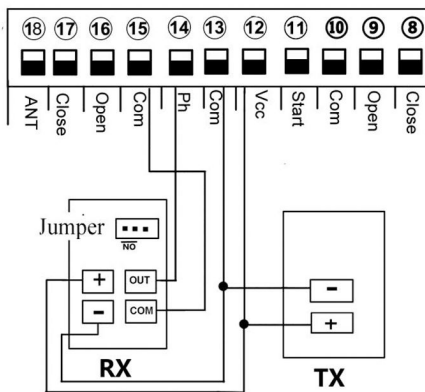
Terminal ③, ④, ⑤: Connection to motor wire.

Terminal ③, ④: Determines the forward and backward direction of the motor.

Terminal ⑤: Terminal for COM (GND).

Terminal ①, ②: for flashing light.

AC220V power output, flashing light turn ON when motor start running and turn OFF 30s after motor stop.



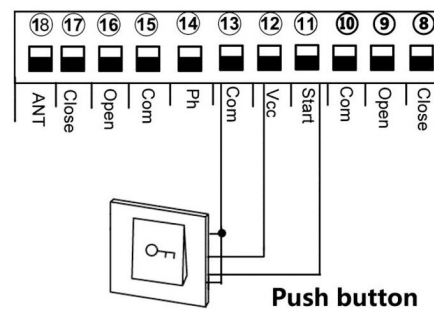
Terminal ⑧, ⑨, ⑩: For external limit switch.

Connect terminal ⑮ to the "COM" of photocell RX.

Connect terminal ⑭ to the "OUT" of photocell RX.

Connect terminal ⑫ to the "+" of photocell RX and TX.

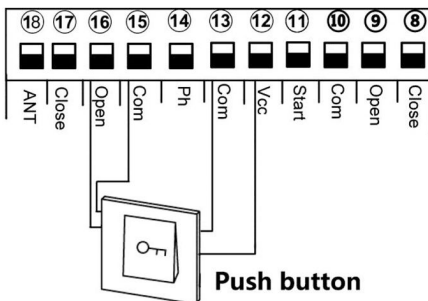
Connect terminal ⑬ to the "-" of photocell RX and TX.



Push button

Terminal ⑪, ⑬: Connect to push button.

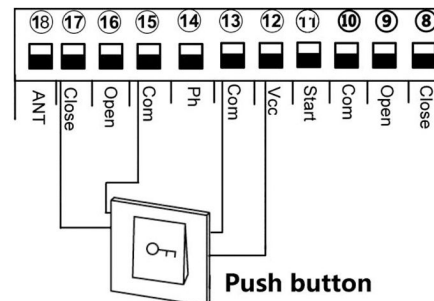
Terminal ⑫, ⑬: Power for push button.



Terminal ⑯ is only to control gate open.

Terminal ⑮, ⑯: Connect to push button.

Terminal ⑫, ⑬: Power for push button.

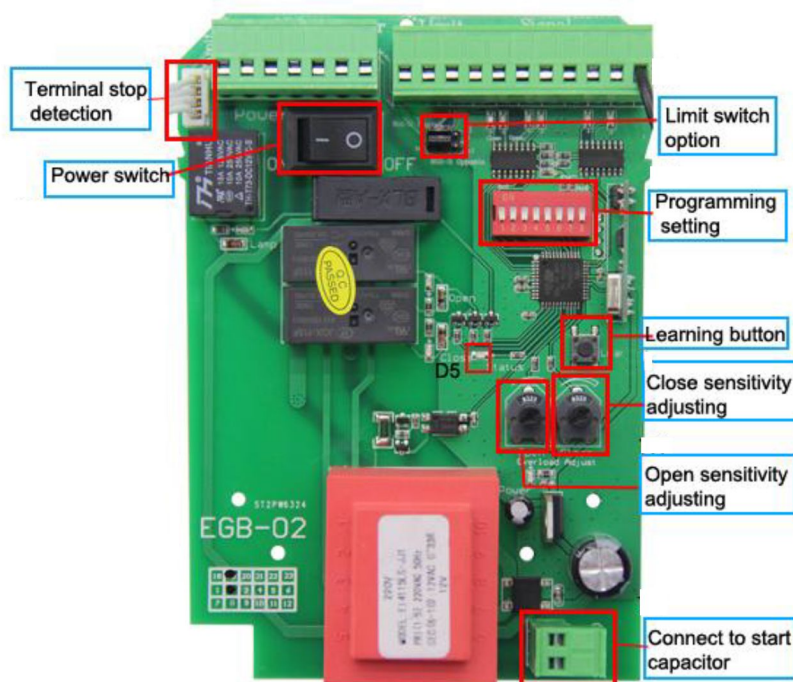


Terminal ⑰ is only to control gate close.

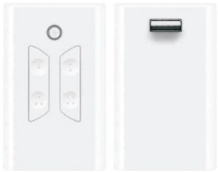
Terminal ⑮, ⑰: Connect to push button.

Terminal ⑫, ⑬: Power for push button.

CONTROL BOARD



OPTIONAL ACCESSORIES



WI-FI MODULE (FM-05W)

- Working voltage: Micro USB 5V
- Frequency: 433.92Mhz
- Code: Rolling code, fixed code, learning code
- Wi-Fi: 2.4G IEEE 802.11 b/g/n
- Range: 80-100m
- Supports automatic gate system



FLASH LIGHT (FD-08)

- Voltage: 12V-265V AC/DC
- Frequency: 1Hz
- IP Rating: IP44
- Supports swing motor, sliding motor, gate barrier, etc.



FLASH LIGHT (FD-06)

- Voltage: 12V-265V AC/DC
- Frequency: 1Hz
- IP Rating: IP54
- Supports swing motor, sliding motor, gate barrier, etc.



BEAM SENSOR (FO-G20)

- Voltage: DC12-18V
- Beams: Single beam
- Detect Distance: 20M
- Output: NO/NC/COM



SLIDING HARDWARE KIT (FN-01)

- 1 PC End stop
- 1 PC Gate stopper
- 1 PC Guide bracket with nylon roller
- 2 PCS Wheel
- 6 PCS Sliding track



STEEL GEAR RACK (FT-01)

- 1 Meter steel rail for sliding motor