

AUTOMATIC GATE BARRIER

FG-T600T (Telescopic arm)

FG-T600L (LED arm)



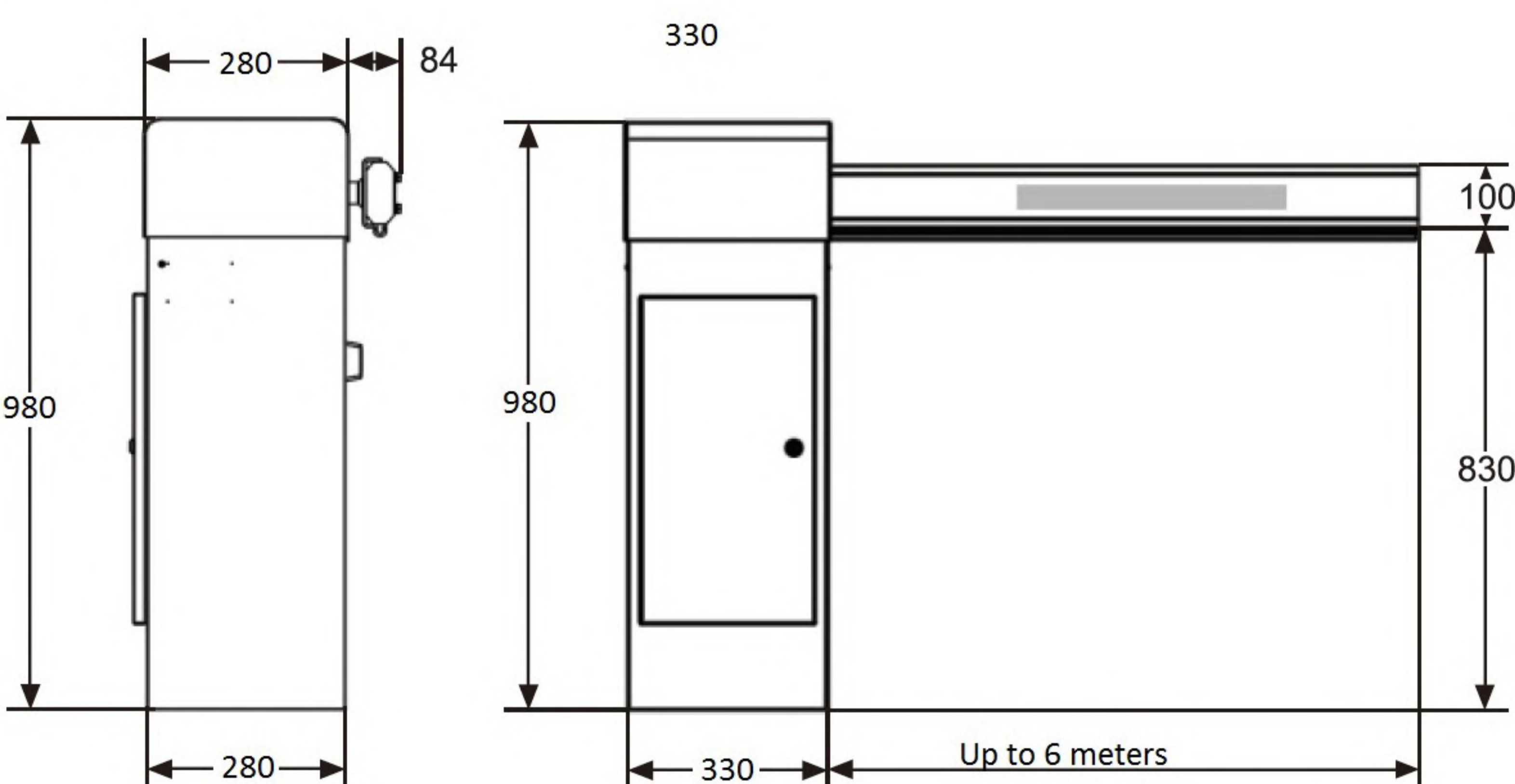
Features

- **Integrative machine core:** All parts are made by mold, So the parts are more accurate and the barrier gate will be more stable.
- Left or right installed can be amendable. The user can amend the installation direction manually.
- **Accurate link mechanism:** The link mechanism will release arm shake and motor load, so the barrier gate can move more stable and the working life of the barrier gate will be longer.
- 70W turbine worm transmission deceleration induction motor: Drive steady, lower noise, structures compact, can realize self-locking.
- Clutch key can be used to open the clutch when electricity is cut off.
- The barrier will automatically go back when it encounters obstacles during the lifting and falling process. Infrared photocell is optional.

SPECIFICATIONS

MODEL	FG-T600T	FG-T600L
Arm	6S with telescopic	6S with LED Arm
Color	Orange	Orange
Maximum straight boom length	6 meter	5 meter
Opening and closing times	6sec - 6m	6sec - 5m
Voltage	220VAC - 240VAC	220VAC - 240VAC
Frequency	60Hz/50Hz	60Hz/50Hz
Motor power consumption	80W	80W
Remote control frequency	430.5MHz	430.5MHz
Maximum Remote Control Distance	≤40m	≤40m
Working temperature	-45°C to 80°C	-45°C to 80°C
Humidity	≤95%	≤95%
IP Rating	IP54	IP54
Drive	Torque motor	Torque motor
The height of boom support	890mm	890mm
Input interface	+12V relay signal or ≥100MS pulse signal	+12V relay signal or ≥100MS pulse signal
Housing dimension	330(W)*280(D)*1980(H)mm	330(W)*280(D)*1980(H)mm
Weight (Without barrier boom)	55Kgs	55Kgs

DIMENSIONS

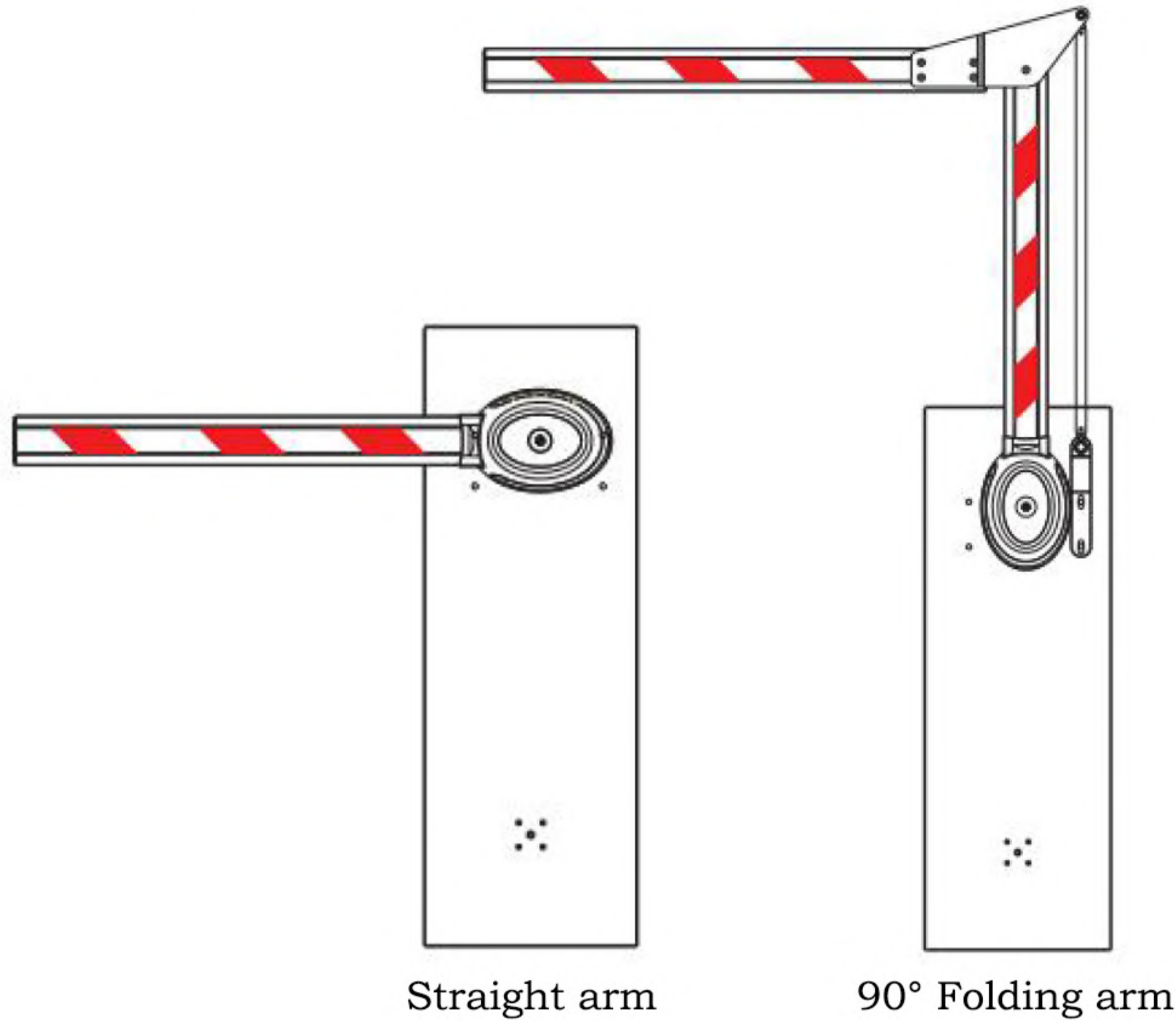


Left-Hand Version

Right-Hand Version



BOOM TYPE



Straight arm

90° Folding arm

SAFETY FUNCTIONS

Pressure sensor anti-crash functions: If the boom meets anything during closing process, the boom will open automatically.

Loop detector anti-crash functions: If car is under the boom, the barrier gates will not be close, and it will close automatically when the car passes the boom.

Open first functions: No matter the boom locates in any position, it will open if barrier gate receives open signal.

Plastic strips: To avoid accidental damage, Plastic strips can be installed on the boom.

NO LIMIT SWITCH

Uses smart motor counter to auto detect open / close position for higher accuracy and better stability. No more mechanical wear and tear which causes the arm to tilts up or down.



ARM SWING OUT

Arm will swing out when hit directly by vehicle (only straight arm) to avoid further damage on the vehicle (optional).



ARM AUTO REVERSE

Built in smart collision detection technology allows arm to auto reverse when hit with an obstacle during closing to prevent further scratches & dents on the vehicle. Optional Photo beam allows arm to auto reverse earlier before hitting the vehicle. Optional rubber lining to protect the vehicle from further damages.



EUROPEAN LEVER DESIGN

European lever design ensure smooth opening arm and reliable consistent performance for years to come.



AC MOTOR

AC motor is strong and powerful, can easily lift up even with additional signage installed on to the barrier arm. AC motor is maintenance free, as there is no carbon in the AC motor. Built-in intelligent fan to cool the motor during heavy usage.



MANUAL RELEASE

FELIX manual release clutch can be conveniently unlocked to manually open or close the arm without removing the whole top cover or body housing. Resulting in hassle free operation and all components inside the barrier body are safe from danger and vandalism.



STURDY HOUSING

Housing is made with 2.5mm thickness mild steel for EXTRA durability to support longer arm housing body is coated with epoxy paint for weatherproof protection.



TRAFFIC LIGHT

Traffic light (red & green) can be added to further enhance safety.



MECHANICAL FEATURES

- Integrative machine core.
- Accurate link mechanism.
- The motor handle can turn to lock or open the boom when power goes off.
- 70W turbine worm transmission deceleration induction motor can

Saves energy.
Avoid overheating.
Works 24 hours non-stop.
Drive steady.
Low noise.
Structures compact.
Release the self-lock.

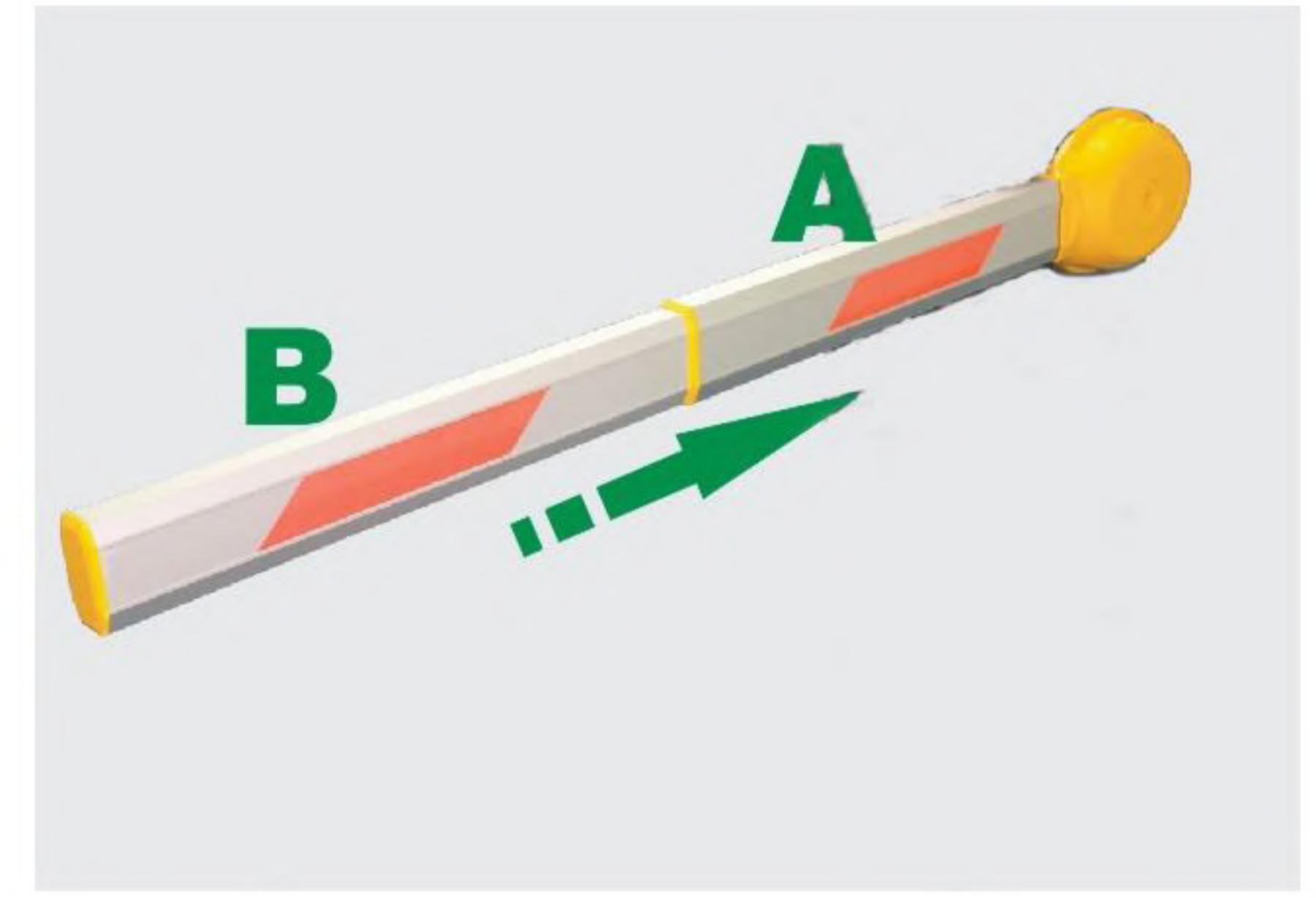
ELECTRICAL FEATURES

- High integration level and powerful functionality.
- Shut down functions (The motor will be shut down automatically after 6 seconds) and thermal protection functions will effectively protect the motor.
- High quality power relay to ensure power stability and photo-electric isolated protection circuit to ensure signal stability. Integration of the wireless remote control receiving module to ensure the stability of the wireless control. The quench circuit to ensure main board working life.
- High efficiency magnetic core transformer to ensure machine working in damping situation. Support both hall-limited sensors and angle-limited sensor.
- The angle-limited sensor has auto bounce back function and auto adjust limited position function. Auto close function (Configuration 10seconds).
- Close loop bounce back function: The function board will not receive loop single when the arm angle is less than setting value.

Retractable Straight Boom

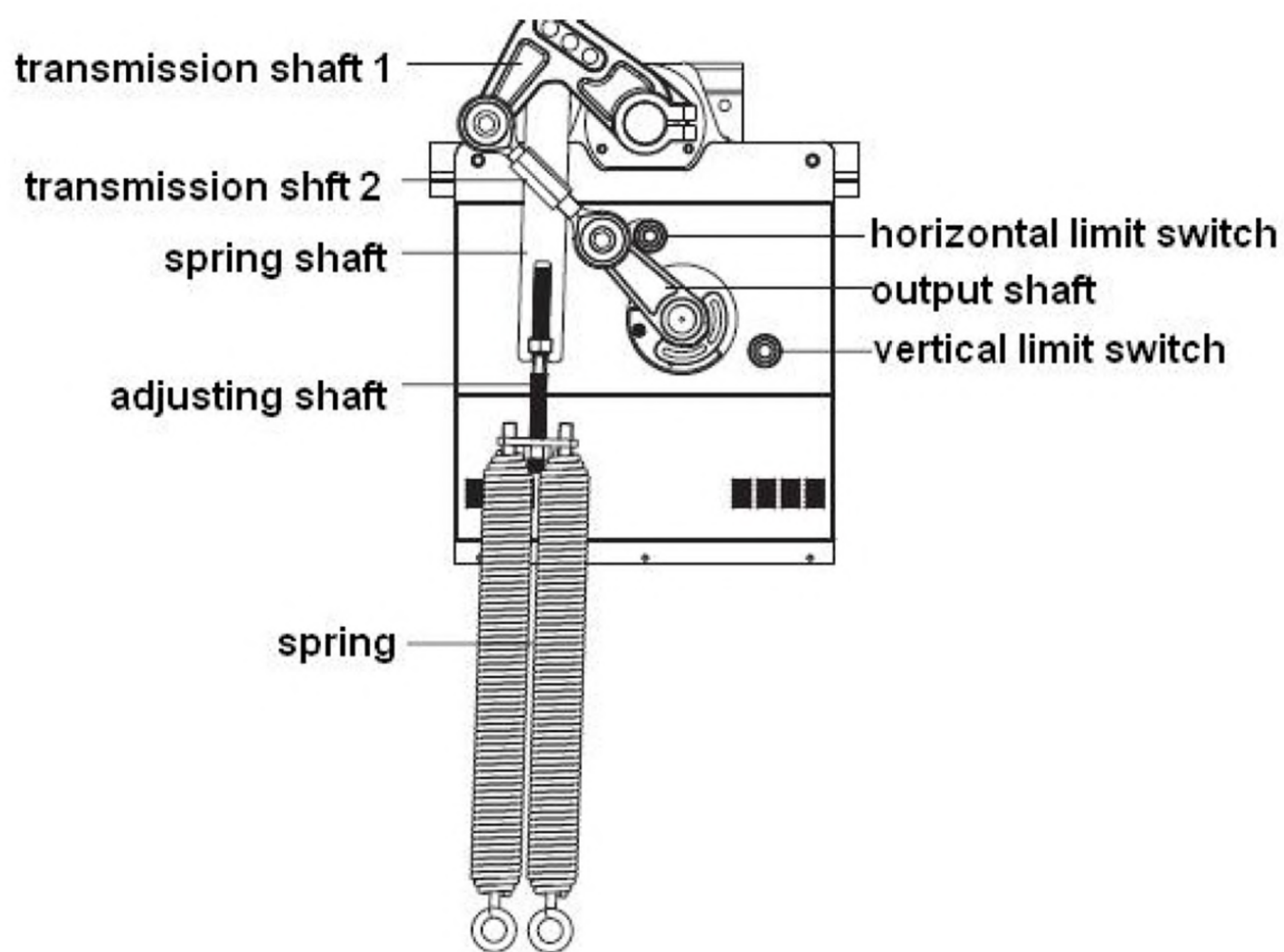
$A = \text{Master Boom}$, $B = \text{Slave Boom}$ ($B \leq A$)

Part B can be contracting inside part A. This boom design is provided for easy transportation. From now on, 6m boom transportation will be easy and more convenient. 6m straight boom can be made as 4m+2m or 3m+3m.



CORE STRUCTURE

Turbine worm drive mechanism and bearing turning mechanism to control boom movement. The magnetic sensor can accurately control the vertical position and horizontal position of the boom.



OPTIONAL ACCESSORIES



F-STD: Arm Stand

