

FT-D006

FLAP BARRIERS



Product Features

- Self checking function.
- To meet fire-control passage requirements, flap barrier arms will open automatically if power is OFF and when power is ON, the arms will be held automatically.
- **Arm Turning:** Bi-direction.
- **Auto-reposition function:** After reading the card, if the passengers does not pass within regulated time period, the transaction will be cancelled automatically. The regulated time can be set manually.
- **Self-lock function:** The arm will be closed automatically after passenger passing.
- After valid card access and passanger pass, the arm can be delayed to close from 1 to 60 seconds which can be set on the control panel.
- Barrier alarms automatically if someone passes illegally.
- Stable performance with low noise.

Technical Specifications

Model	FT-D006
Material	304 stainless steel
Finishing	Brushed
Power Supply	AC220V±10V, 50Hz / AC110V±10V, 60Hz
Power Consumption	100W/24V
Temperature	-15°C to 60°C
Humidity	<95%, without concretion
Passage Width	600mm
Passing Speed	30 persons/min (normal open), 20 persons/min (normal close)
Arm Open/Close Time	1s
Input Interface	+12V Electrical signal or impulse signal with width more than 100ms, drive current >10mA
Working Environment	Indoor or outdoor with shed
Arm Length	280mm
Arm Color	Blue
Finishing	Brushed
Pole shape	Beeline
Dimension	1200x300x1000mm

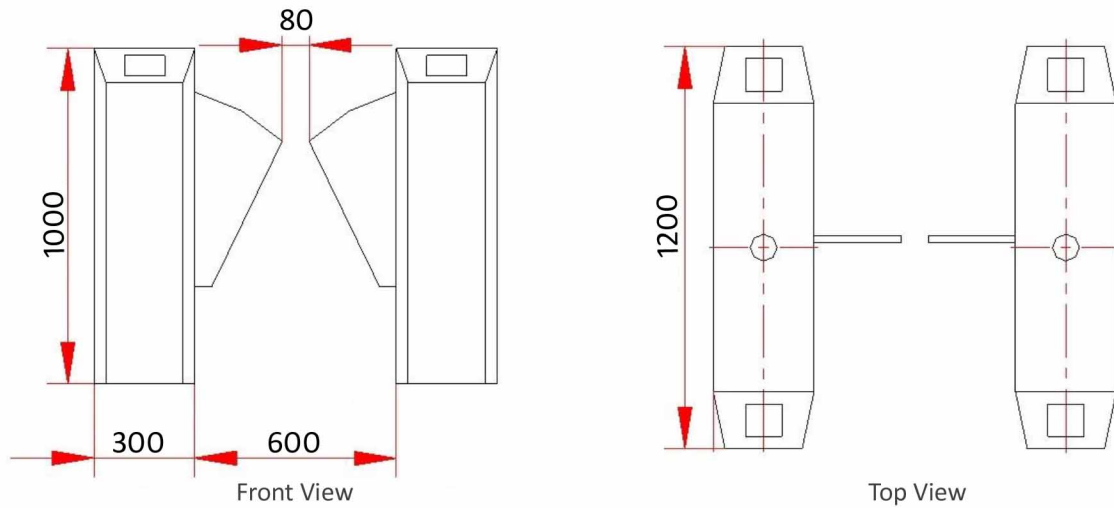
Constructions

Turnstile arm: Plexiglass.

Guiding elements inside and outside: Light metal casting, natural anodized.

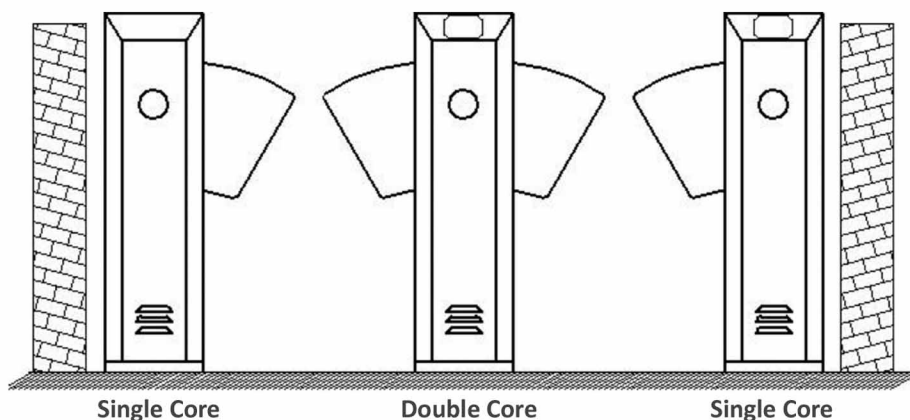
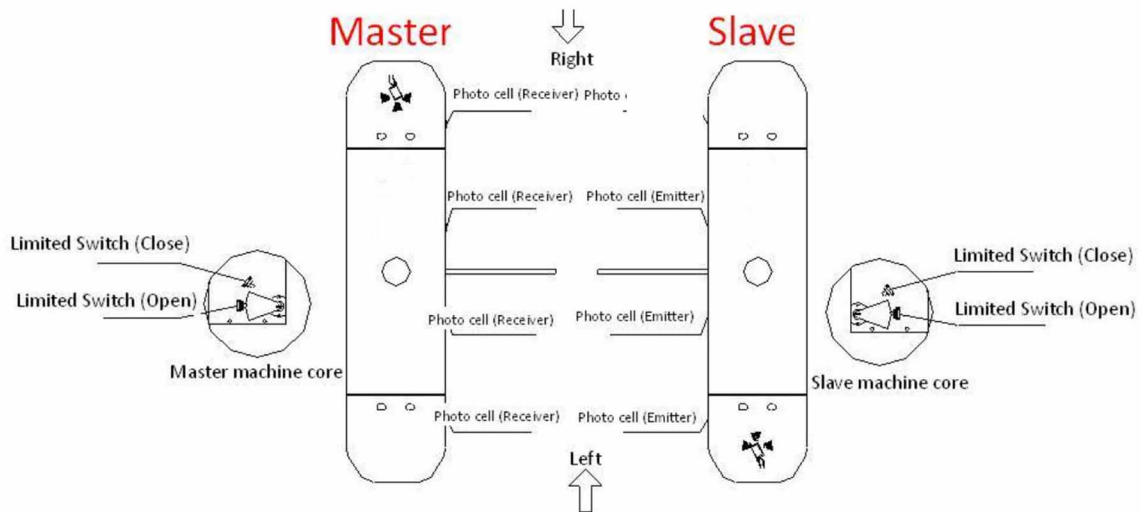
Portal frame: Made of steel with space reserved for installations.

Dimension



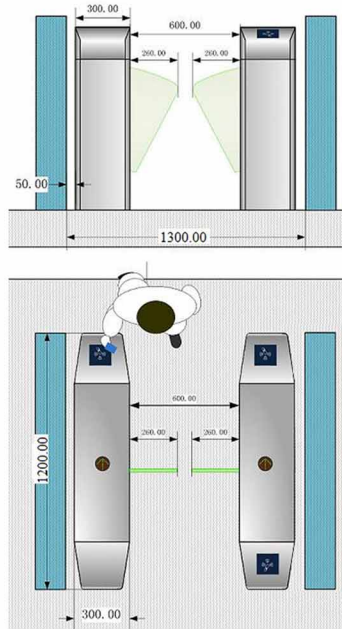
Swing turnstile has standard electrical interface which can be connected with ID cards, IC cards, magnetic cards, barcode cards etc. The arm will open automatically when turnstile received relay signal.

Product Structure

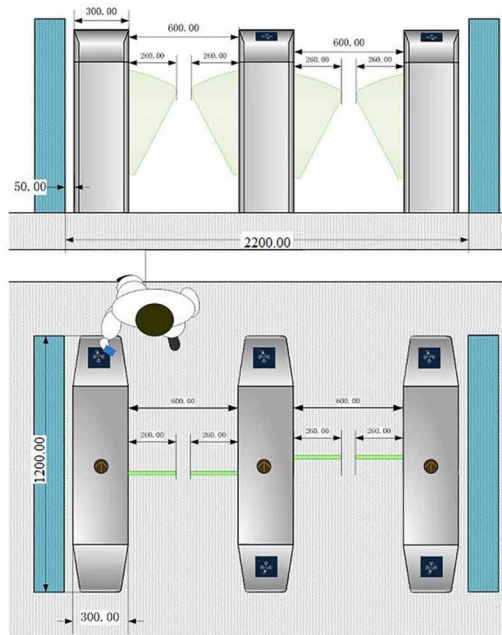


Multi-way Design with Dimensions

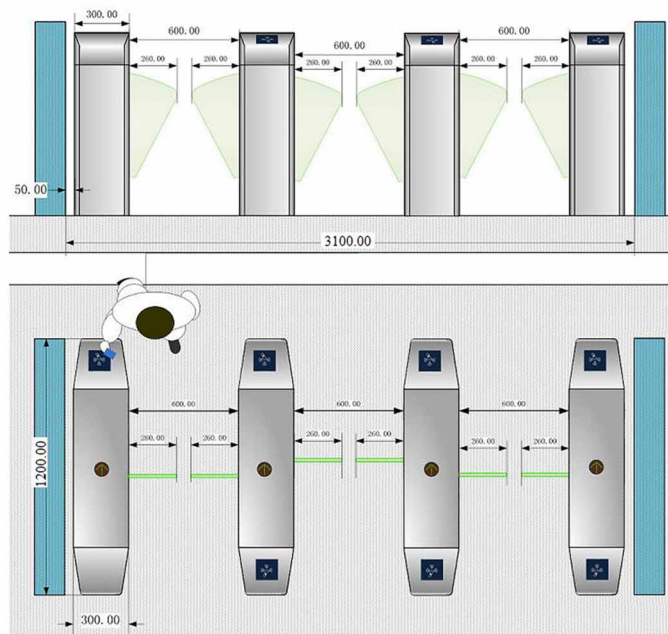
ONE-WAY BARRIER: TWO SINGLE CORE



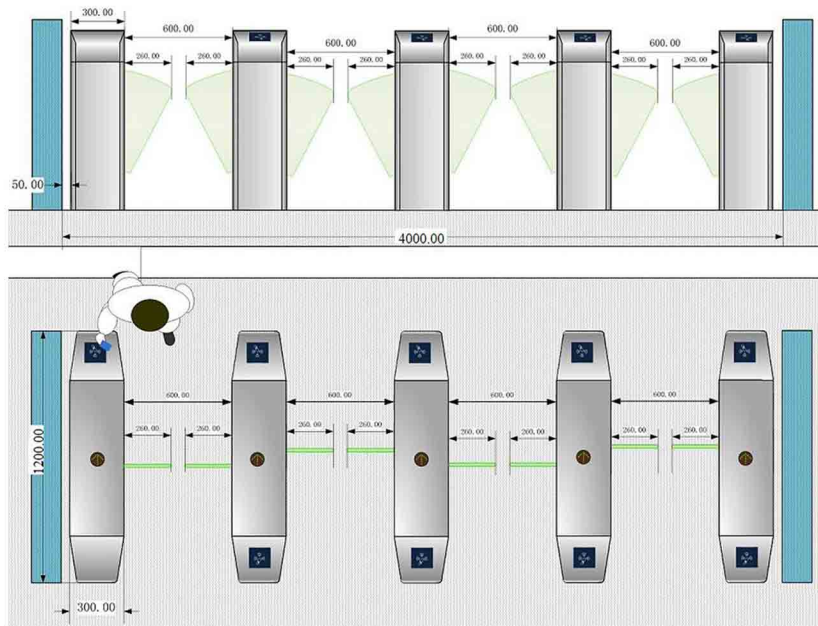
TWO-WAY BARRIER: TWO SINGLE CORE & ONE DOUBLE CORE



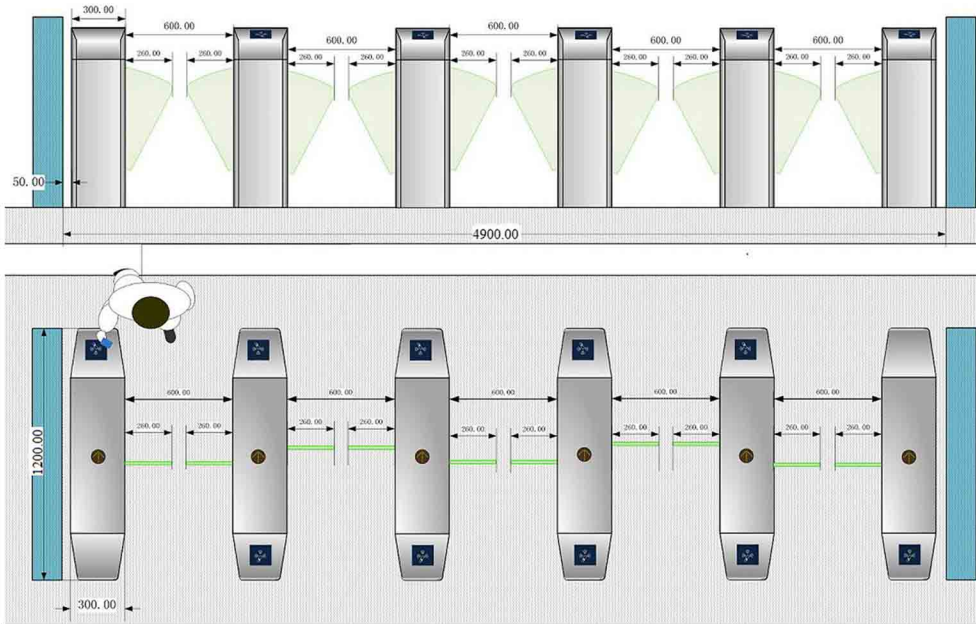
THREE-WAY BARRIER: TWO SINGLE CORE & TWO DOUBLE CORE



FOUR-WAY BARRIER: TWO SINGLE CORE & THREE DOUBLE CORE



FIVE-WAY BARRIER: TWO SINGLE CORE & FOUR DOUBLE CORE



SIX-WAY BARRIER: TWO SINGLE CORE & FIVE DOUBLE CORE

