

# FX-HD02

## WIRED HEAT & SMOKE DETECTOR



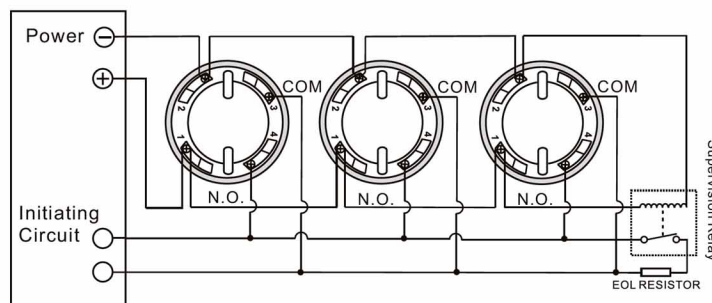
### Product Features

- Strong adaptability for circumstance.
- SMT design, high stability.
- 9-35vdc wide voltage operating range.
- Low standby current.
- Power supply non-polarized input.
- Flashing led power indicator.
- Remote led indicator output (2-wire).

### Technical Specifications

Model	FX-HD02
Wiring	4 Wire
Operating Voltage	DC9V-35V
Standby Current	4mA(relay N.O.), 13mA(relay N.C.)
Alarm Current	19mA(relay N.O.), 9mA(relay N.C.)
Alarm Indication	RED LED ON
Temperature Range	-10°C~+50°C
Alarm Temperature	54°C~65°C
Alarm Output	Relay Output
Contact Rating	0.5A@DC28V
Sensitivity	0.2dB/m(±0.1dB/m)
Standard	EN54-7/UL268
Dimension	100mm Diameter x 46mm Depth

### Connection Diagram



**4 wire detectors wiring diagram**

1 ANODE INPUT    2 CATHODE INPUT    3 RELAY OUTPUT(COM)    4 RELAY OUTPUT(N.O)